

Tetra[®] PowerStrip

LED Lighting System

Lighting solutions for single and double-sided cabinet signs



imagination at work

Tetra® PowerStrip

Energy efficient solutions for cabinet signs

Tetra PowerStrip and **Tetra PowerStrip DS** from GE Lighting Solutions are the innovative LED systems that replace fluorescent tubes in cabinet signs resulting in reduced energy costs, improved uniformity and lower maintenance expenses.

Tetra PowerStrip is our 12 Volt LED system for single-sided cabinet signs, and **Tetra PowerStrip DS** is our 24 Volt LED system for double-sided cabinet signs.

Tetra® PowerStrip

- Single-sided LED system
- 12 Volt System
- Pre-drilled holes and industrial grade mounting tape for easy install

Tetra® PowerStrip DS

- Double-sided LED system
- 24 Volt System
- Rail can be custom cut to length

Cabinets have never been easier to install

Tetra PowerStrip is a low-voltage lighting system that does not require the construction of sockets for mounting. The easy-to-handle system eliminates the handling of fragile glass tubes and can be cut between modules for easy installation in new or retrofit signs of any size.



LED Benefits Drive Sales

Tetra PowerStrip has the potential to increase sales by offering valued benefits for end-user driven projects. This LED system is a cost effective investment for sign owners who are conscious about their energy and maintenance costs, brand image and environmental impact.

Tetra PowerStrip drastically slashes energy costs by offering up to 79% energy savings over T12HO fluorescent while providing better light consistency across the sign face. This lighting system delivers uniform light up to 4 times longer than fluorescent. This long life drastically reduces maintenance costs while protecting brand image, and it's all backed up with a 5 year limited warranty. The LED system contains no lead, mercury or glass making handling and disposal less of a concern.



Easy clip-on installation of mounting brackets is a snap.

NEW! Maximized brightness solutions

When brightness matters most, **Tetra PowerStrip High Output** and **Tetra PowerStrip DS High Output** deliver up to 35% more light than standard Tetra, commanding attention to your customer's brand image.

With new Tetra High brightness LED solutions for cabinet signs you can now use wider stroke spacing to reduce the amount of product needed and build your sign more economically.

GE Reliability

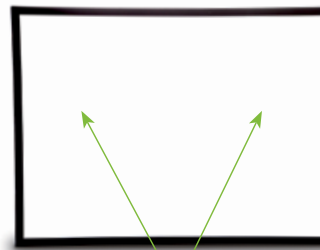
Only GE Lighting Solutions has the depth of experience that comes from supplying over 20 million feet of Tetra LED lighting systems across the globe. Every Tetra product is backed with a reputation for reliability that is unsurpassed in the industry. We perform stringent testing of the entire system—utilizing GE Six Sigma standards—rather than just pass on supplier reported performance claims.

The OptiLens™ Difference

Tetra PowerStrip features **OptiLens™**, an innovative technology that maximizes LED performance. This patent-pending optical lens helps spread light exactly where it's needed most, resulting in bright, uniform light distribution across the entire sign face.

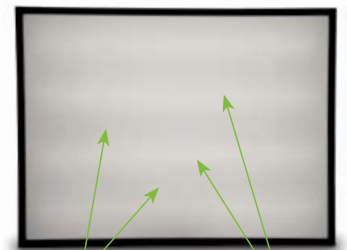
Tetra PowerStrip with OptiLens provides over 20% greater surface area coverage than just LEDs alone. The superior brightness and uniformity that this LED system provides enhances and protects brand image through better looking signs.

Tetra PowerStrip



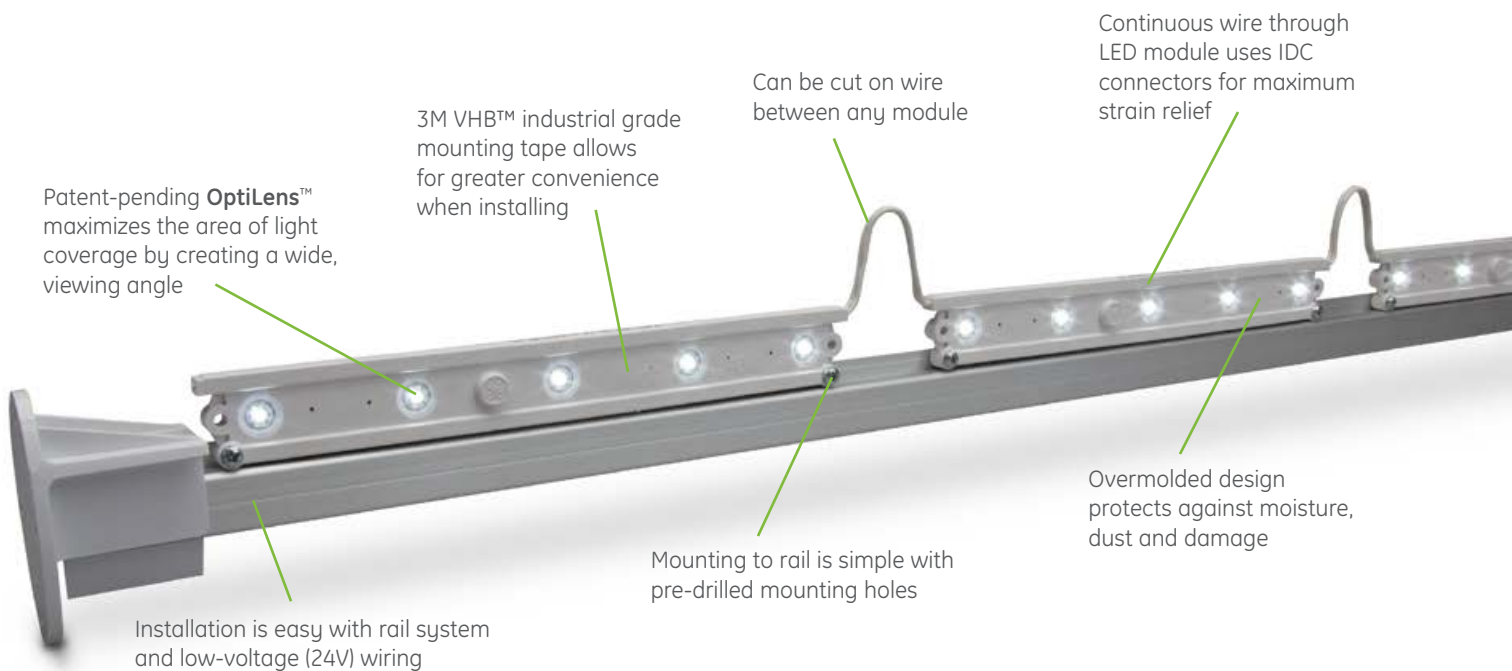
Even Illumination

Fluorescent T8



Shadows

Striping



Tetra® PowerStrip DS

NEW high output (16 LEDs per module) or standard (10 LEDs per module) Tetra PowerStrip

Tetra® PowerStrip SS

NEW high output (8 LEDs per module) or standard (5 LEDs per module) Tetra PowerStrip

Components

SKU	Description	Package Quantity
GESS71-1	Tetra PowerStrip 7100K	48 Modules
GESS50-1	Tetra PowerStrip 5000K	48 Modules
GESS41-1	Tetra PowerStrip 4100K	48 Modules
GESS32-1	Tetra PowerStrip 3200K	48 Modules
GEDS71-1	Tetra PowerStrip DS 7100K	32 Modules
GEDS50-1	Tetra PowerStrip DS 5000K	32 Modules
GEDS41-1	Tetra PowerStrip DS 4100K	32 Modules
GEDS32-1	Tetra PowerStrip DS 3200K	32 Modules
GESSH71-1	Tetra PowerStrip High Output 7100K	48 Modules
GESSH50-1	Tetra PowerStrip High Output 5000K	48 Modules
GESSH41-1	Tetra PowerStrip High Output 4100K	48 Modules
GESSH32-1	Tetra PowerStrip High Output 3200K	48 Modules
GEDSH71-1	Tetra PowerStrip DS High Output 7100K	32 Modules
GEDSH50-1	Tetra PowerStrip DS High Output 5000K	32 Modules
GEDSH41-1	Tetra PowerStrip DS High Output 4100K	32 Modules
GEDSH32-1	Tetra PowerStrip DS High Output 3200K	32 Modules
9409	18 AWG Supply Wire (0.82 mm ²)	500 ft./spool (152.4 m)
191600041	22-14 AWG Twist-On Wire Connectors (0.33 – 2.08 mm ²)	500/PK
192160004	18-14 AWG In-line Connectors (IDC) (0.82 – 2.08 mm ²)	500/PK
GETMEC1	18 AWG Wire End Caps (0.82 mm ²)	100/PK
GEDSRL08	Tetra Mounting Rail	8 Rails
GEDSLB1	Tetra Mounting Rail Assembly Bracket	20/PK
GEDSRC1	Tetra Mounting Clip	8/PK

Technical Specifications

Specification Item	Wavelength	Typical Brightness (lumens/module)	LEDs/Module	Energy Consumption (Strip/Module)	Energy Consumption (System/Module)	Power Supply Loading	Viewing Angle
Tetra PowerStrip	7100K, 5000K	280	5	2.40	2.82	20 Modules / 60W PS	140°
	4100K, 3200K	210					
Tetra PowerStrip DS	7100K, 5000K	560	10	4.80	5.64	16 Modules / 100W PS	140°
	4100K, 3200K	420					
Tetra PowerStrip High Output	7100K, 5000K	360	8	3.63	4.15	16 Modules / 60W PS	140°
	4100K, 3200K	260					
Tetra PowerStrip DS High Output	7100K, 5000K	720	16	6.55	7.14	13 Modules / 100W PS	140°
	4100K, 3200K	520					

Specification Item

Tetra PowerStrip

Cutting Resolution	Cut on wire between every module		
Power Supply	GEPS12-20 Input: 90-264VAC; Output: 12VDC GEPS12-60-NA Input: 108-305VAC; Output: 12VDC GEPS12-60-GL Input: 108-305VAC; Output: 12VDC GEPS12W-60 Input: 90-264VAC; Output: 12VDC GEPS12D-60U Input: 108-305VAC; Output: 12VDC GEPS12-180U Input: 90-305VAC; Output: 12VDC	GEPS24-20 Input: 90-264VAC; Output: 24VDC GEPS24D-80U Input: 90-305VAC; Output: 24VDC GEPS24-100-NA Input: 108-305VAC; Output: 24VDC GEPS24-100-GL Input: 108-305VAC; Output: 24VDC GEPS24-180U Input: 90-305VAC; Output: 24VDC	
Maximum Supply Wire Limits	60W,80W, 100W,180W	20W	Supply Wire Gauge
	20 ft. (6.1 m)	120 ft. (36.6 m)	18AWG/0.82mm ² supply wire - 9409
	25 ft. (7.6 m)		16AWG/1.31mm ² supply wire
	35 ft. (10.6 m)		14AWG/2.08mm ² supply wire
	40 ft. (12.1 m)		12AWG/3.31mm ² supply wire
	<i>Wiring to be installed in accordance with Article 725 of the National Electric code (NEC).</i>		
Operating Environment	-40 °C to +60 °C		
Module Dimensions (h x l x w)	Tetra PowerStrip: 0.45 x 1.14 x 9.20 in. (11 x 29 x 234 mm) Tetra PowerStrip DS: 0.40 x 1.34 x 9.20 in. (10 x 34 x 234 mm)	Tetra PowerStrip High Output: 0.47 x 9.29 x 1.12 in. (12 x 29 x 236 mm) Tetra PowerStrip DS High Output: 0.55 x 8.98 x 1.32 in. (14 x 34 x 228 mm)	
Sign Dimensions	For best results, recommended sign depth is 5 inches (127mm) or greater	For best results, recommended sign depth is 10 inches (254mm) or greater	
Warranty	GE offers a limited system warranty of up to five (5) years		
System Certifications	UL Recognized #E219167, UL Classified #E229508, CSA Approved #216319, CE, C-tick, RoHS.		



GE Lighting • 1-888-MY-GE-LED (1-888-69-43-5333) • www.gelighting.com

GE Lighting Solutions, LLC. is a subsidiary of the General Electric Company. Tetra is a trademark of GE Lighting. The GE brand and logo are trademarks of the General Electric Company. © 2013 GE Lighting Solutions, LLC. Information provided is subject to change without notice. All values are design or typical values when measured under laboratory conditions.